

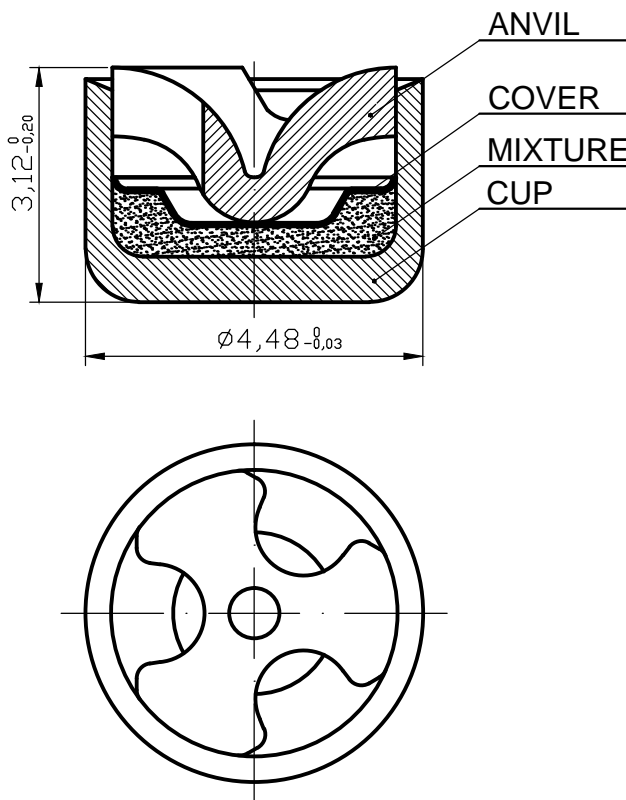


UNIS "GINEX" d.d.



PRIMER 4,5/3-N for 5,56

EN ISO 9001:2015
EN ISO 14001:2015
EN ISO 45001:2018



DESIGNED FOR USE IN:		
5,56 mm		
TECHNICAL CHARACTERISTICS		
Position	Material identification	Dimensions
Cup	CuZn30	0,60 ⁰ _{-0,02} mm
Anvil	CuZn30	0,91 ⁰ _{-0,03} mm
Cover	Paper disc	0,10 ⁰ _{-0,02} mm
Primer lacquers	Nitrolacquer red	-
Mixture	Non corrosive, without Hg	0,027 ^{±0,002} g
SENSITIVITY		
Ball weight	112 g	
Upper statistical limit	$\bar{H} + 3S \leq 304,8\text{mm} (12")$	
Lower statistical limit	$\bar{H} - 3S > 76,2 \text{ mm} (3")$	
Firing pin	$\varnothing 1,52^{\pm 0,01}$ mm; R0,76 mm	
Testing in cartridge case	5,56 mm	
PACKING		
100pcs. of primers packed into a plastic tray with carton cover		
50 pcs. of plastic trays packed into a carton box		
10 carton boxes (50 000 pcs. of primers) packed into a special (carton or wooden) case		

Tel: ++387 38 221 251, Fax: ++387 38 221 402, E-mail: ginexinfo@bih.net.ba
Visegradska bb, 73 000 Gorazde, Bosnia & Herzegovina