

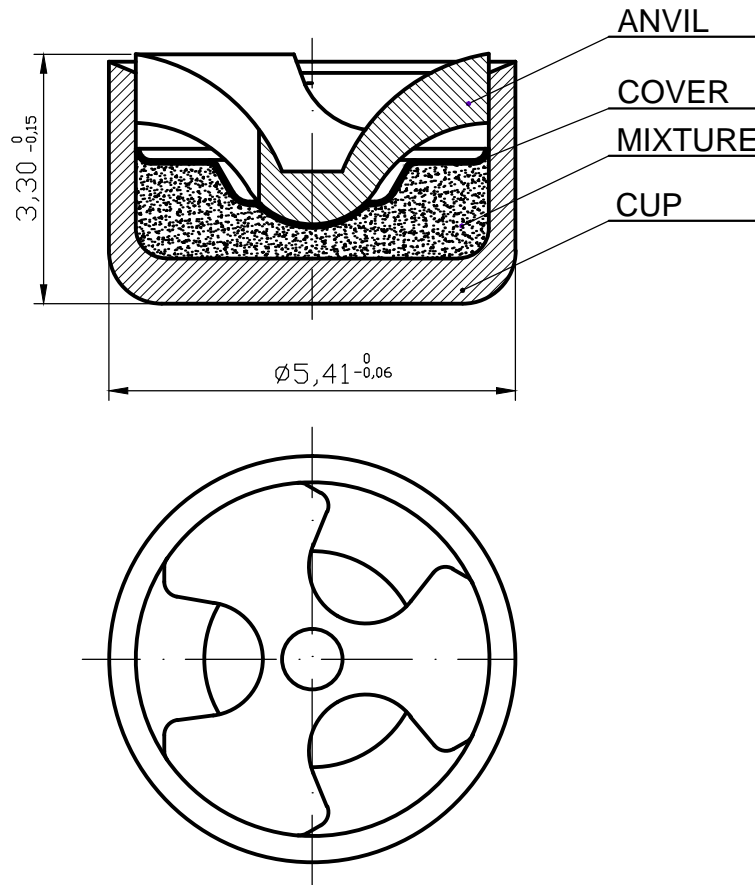


UNIS "GINEX" d.d.



PRIMER 5,5/3-N for large rifle

EN ISO 9001:2015
 EN ISO 14001:2015
 EN ISO 45001:2018



DESIGNED FOR USE IN:		
7,62x51mm; .300 WIN; .308 WIN; 8x57mm; .30-06 SP		
TECHNICAL CHARACTERISTICS		
Position	Material identification	Dimensions
Cup	CuZn30	0,71 ⁰ _{-0,02} mm
Anvil	CuZn30	0,91 ⁰ _{-0,03} mm
Cover	Paper disc	0,10 ⁰ _{-0,02} mm
Primer lacquers	Nitrolacquer red	-
Mixture	Non corrosive, without Hg	0,038 ^{±0,002} g
SENSITIVITY		
Ball weight	55 g	
Upper statistical limit	$\bar{H} + 4S \leq 635\text{mm} (25")$	
Lower statistical limit	$\bar{H} - 2S > 76,2 \text{ mm} (3")$	
Firing pin	Ø2mm; R1mm	
Testing in cartridge case	.300 WIN	
PACKING		
100pcs. of primers packed into a plastic tray with carton cover		
50 pcs. of plastic trays packed into a carton box		
8 carton boxes (40 000 pcs. of primers) packed into a special (carton or wooden) case		

Tel: ++387 38 221 251, Fax: ++387 38 221 402, E-mail:ginexinfo@bih.net.ba
 Visegradska bb, 73 000 Gorazde, Bosnia & Herzegovina